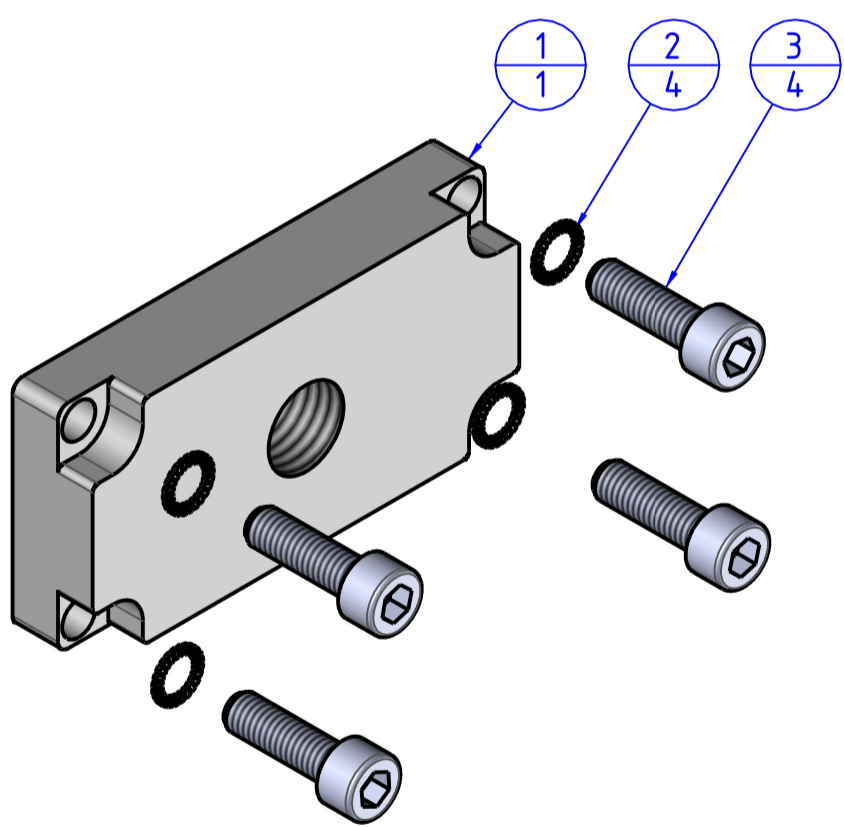
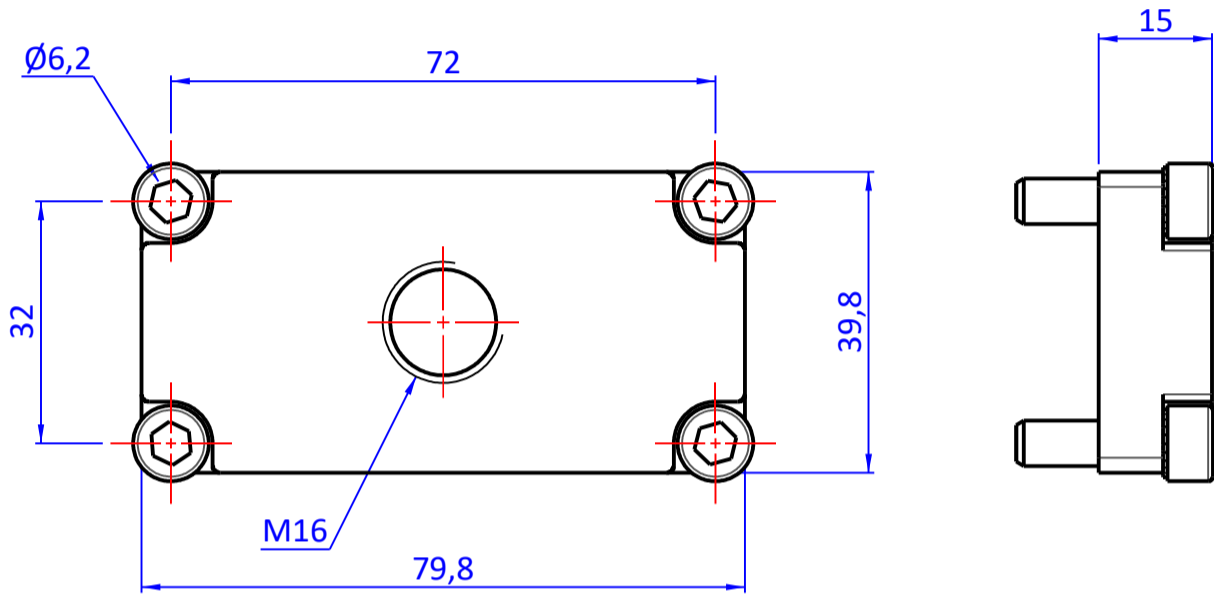

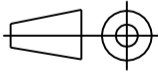


Item	Name	Q.ty
1	PP.8040.JU	1
2	R.6.SCH	4
3	V.TCE6x20	4



THE PROPERTY OF THE DRAWING IS ESTABLISHED BY LAW. IT IS FORBIDDEN TO PRODUCE OR SHOW IT TO THIRD PARTY WITHOUT A WRITTEN AGREEMENT.

Format A4 UNI 936-76	 FPS SERVICES AUTOMATION			DESIGNED FROM FPS Automation	REVIEW A
	GENERAL TOLERANCE UNI - ISO 2768 CLASSE f	DESCRIPTION CA.PP.8040.JU		DATE 23/02/2022	WEIGHT 0,145kg
				CODE CA.PP.8040.JU	